



# V-Series

## Excellent Heat-Dissipation and Energy-Efficient Built-in Driver

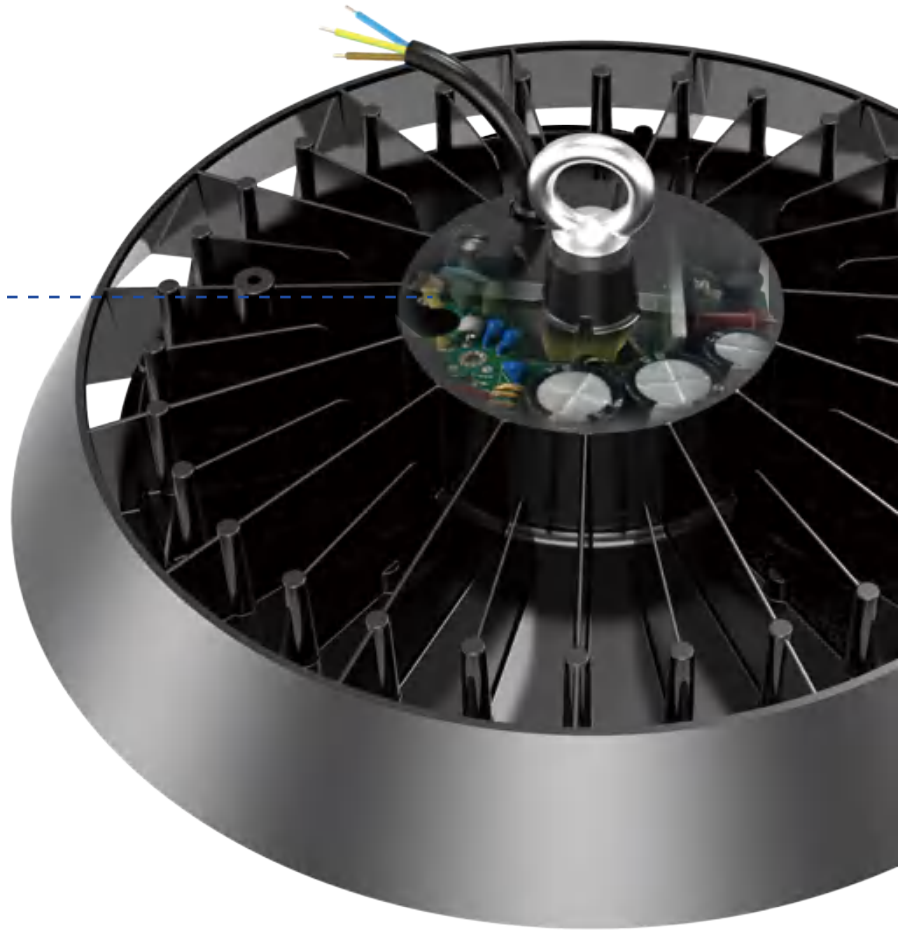
Constructed of industrial grade heavy-duty rugged die-casting aluminum hous, the high bay lighting fixtures ensure high performance



## Build-in Driver

Our budget-friendly in-built driver lets you easily adapt your lighting to suit your needs.

LED Driver



## Reduce Shipping Costs Save up to 40%

Thanks to the compact design, the L Series can load 40% more than regular high bay products in one container, which will save your shipping cost a lot.



V-Series



Ordinary



## Anti-Glare Reflector

Use this reflector to reduce glare from your 100-, 150-, 200-Watt UFO LED High-Bay Light and to create a traditional high-bay look. The reflector installs around the fixture's lens and comes with 4 screws to secure it in place.



# SPECIFICATIONS TABLE

GENERAL INFORMATION	
Driver included	Yes
CE mark	Yes
RoHS compliant	Yes
Safety features	Open circuit protection Short circuit protection Overvoltage protection
Testing standard	LM-79-19 (all measurements in ISO17025 accredited laboratory)
HOUSING AND FINISH	
Housing	Aluminium
Optic	Polycarbonate
Protector	Polycarbonate (with integrated lenses)
Housing finish	Electrostatic polyester powder coating
Standard colour(s)	RAL 9017 black
OPERATING CONDITIONS	
Operating Temperature Range (Ta)	-30°C to + 45°C
Operating Humidity	10-90%RH
Mounting Option	Loop Hanging Bracket Mounting
Warranty	3 years
PERFORMANCE	
Power	100W/150W/200W
Efficacy	160lm/W, 140lm/W
Power Efficiency	≥93%
Start Time	≤0.2S
Warm-up time to 60%	0.5S

ELECTRICAL INFORMATION	
Electrical Class	Class I EU
Nominal Voltage	220-240V   50/60Hz
Power factor (at fullload)	0.9
Surge Protection Options (KV)	4KV-Line-Line 4KV-Line-Earth
Electromagnetic Compatibility (EMC)	EN 55015:2019/A11:2020, EN 61000 3-2:2019, EN 61000-3-3:2013, EN 61547:2009, EN 62493:2015
Total Harmonic Distortion(THD)	IEC 61000-3-2 Class C <20%
Driver Type	Constant current(CC)
Withstand Voltage	1.5KV 60S 10mA
OPTICAL INFORMATION	
LED Type	SMD2835
Beam Angle	60° / 90° / 120°
Recommended installation height	4m to 12m
Color Tolerance	Ra70 ≤7 Ra80 ≤5
LED colour Temperature	3000K / 4000K / 5000K / 5700K / 6500K
Colour Rendering Index (CRI)	CRI>70 standard CRI>80 optional
Upward Light Output Ratio (ULOR)	0%
LIFETIME OF THE LEDS @ TA 25°C	
All configurations	
L70B50	> 100,000h
L80B20	> 50,000h
Switching Cycles	> 100,000 times

※Lamp switch must control L line or control L and N lines.  
 ※Ra measurement tolerance is ±2.

# PACKAGING

POWER	PACKAGE SIZE	QTY/CTN	SINGLE PIECE VOLUME	NET WEIGHT	GROSS WEIGHT	20GP	40HQ
100W	L310*W310*H128mm	1PCS/CTN	0.0123m3	1.6kg	2.0kg	2394pcs	5506pcs
150W	L360*W360*H133mm	1PCS/CTN	0.0172m3	1.9kg	2.6kg	1732pcs	4138pcs
200W	L400*W400*H133mm	1PCS/CTN	0.0213m3	2.3kg	3.3kg	1396pcs	3361pcs

# PERFORMANCE

## STANDARD VERSION

POWER	LUMENS	EFFICACY
100W	16,000LM	160LM/W(Ra70)
	14,800LM	148LM/W(Ra80)
150W	24,000LM	160LM/W(Ra70)
	22,200LM	148LM/W(Ra80)
200W	32,000LM	160LM/W(Ra70)
	29,600LM	148LM/W(Ra80)

## ECO VERSION

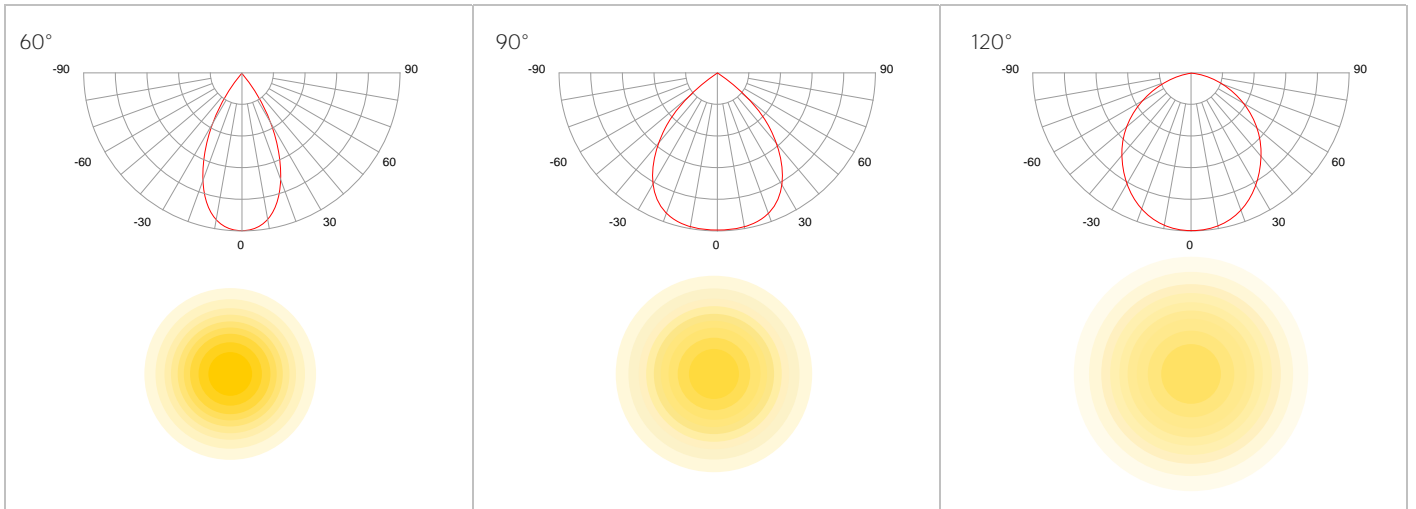
POWER	LUMENS	EFFICACY
100W	14,000LM	140LM/W(Ra70)
	13,000LM	130LM/W(Ra80)
150W	21,000LM	140LM/W(Ra70)
	19,500LM	130LM/W(Ra80)
200W	28,000LM	140LM/W(Ra70)
	26,000LM	130LM/W(Ra80)

※The Performance Data is tested base on 230VAC, 90° and 4000K for all versions  
 ※Power Consumption Tolerance ±5% (Apply to all versions)  
 ※Lumen Efficiency Tolerance ±5% (Apply to all versions)

# APPLICATION



# LIGHT DISTRIBUTIONS



# PENDANT MOUNTING

Power	Size
100W	Φ 260*H120mm
150W	Φ 310*H125mm
200W	Φ 350*H125mm

