



# LHB08-Series

Up to 170lm/w

**Power & CCT Selectable Linear Highbay**

Designed for aisle,warehouse,workshop application etc.



## STREAMLINED LINES WITH BETTER HEAT DISSIPATION

The smooth and streamlined design of the lines not only satisfies the aesthetic characteristics of the design, but also meets the demand for excellent heat dissipation function.



## POWER & CCT ADJUSTABLE

It is equipped with adjustable power output and color temperature selection, which can greatly reduce the pressure of inventory and facilitate a healthy cash flow cycle.



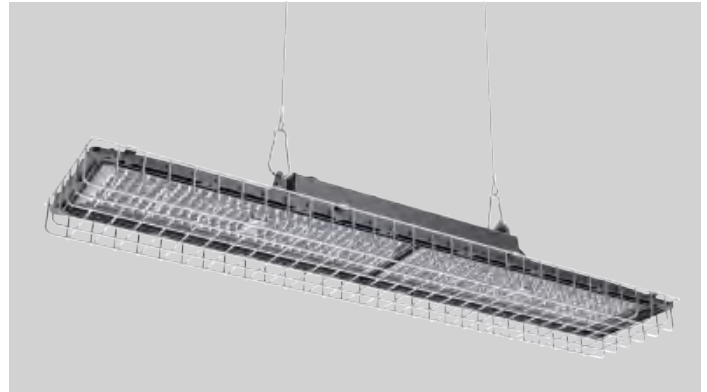
- **Power & CCT Adjustable by DIP**

We can push the button on the power supply to achieve the desired effect.

## TEMPERED GLASS LENSES AND PROTECTIVE GUARD ARE OPTIONAL



The option of tempered glass lens is chosen mainly for its suitability in certain specialized application scenarios. Furthermore, the 4mm tempered glass material used in the product provides better impact resistance.



The optional protective guard accessories are mainly considered for sports field lights which require special protection against impact from balls.

## VARIOUS INSTALLATION WAYS

There are various installation options available to meet diverse usage requirements. The installation process is swift, convenient, and cost-effective as it saves labor and maintenance costs.



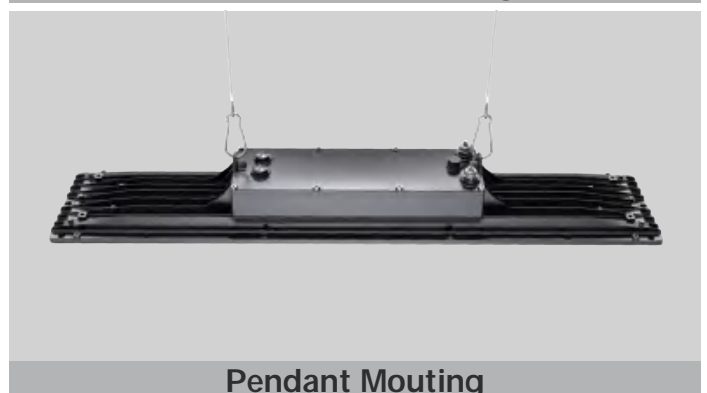
U-Bracket



60mm Pole Mounting



Surface-Ceiling Mounting



Pendant Mounting

# SPECIFICATIONS TABLE

GENERAL INFORMATION	
Driver included	Yes
CE mark	Yes
RoHS compliant	Yes
Safety features	Open circuit protection Short circuit protection Overvoltage protection
Testing standard	LM-79-19 (all measurements in ISO17025 accredited laboratory)
HOUSING AND FINISH	
Housing	Aluminium
Optic	Polycarbonate
Protector	Polycarbonate (with integrated lenses)
Housing finish	Electrostatic polyester powder coating
Standard colour(s)	RAL 9017 black
OPERATING CONDITIONS	
Operating Temperature Range (Ta)	-30°C to + 40°C
Operating Humidity	10-90%RH
Mounting Option	Ceiling mounting/Pendant mounting/ Bracket installation/Pole mounting
Warranty	5 years
PERFORMANCE	
Power	200W/240W
Efficacy	170lm/W,150lm/W
Power Efficiency	≥90%
Start Time	≤0.2S
Warm-up time to 60%	0.5S

ELECTRICAL INFORMATION	
Electrical Class	Class I EU
Nominal Voltage	120-277V   50/60Hz
Power factor (at full load)	0.9
Surge Protection Options (KV)	6KV-Line-Line 6KV-Line-Earth
Electromagnetic Compatibility (EMC)	EN 55015:2019/A11:2020, EN 61000-3-2:2019, EN 61000-3-3:2013, EN 61547:2009, EN 62493:2015
Total Harmonic Distortion(THD)	IEC 61000-3-2 Class C <20%
Driver Type	Constant current(CC)
Withstand Voltage	1.5KV 60S 10mA
OPTICAL INFORMATION	
LED Type	SMD3030 / SMD5050
Beam Angle	90°/30x70°/60x90°/40x110°/60x110°/ 90x110°
Recommended installation height	6m
Color Tolerance	Ra70 ≤7 Ra80 ≤5
LED colour Temperature	3000K / 4000K / 5000K / 5700K / 6500K
Colour Rendering Index (CRI)	CRI>70 standard CRI>80 optional
Upward Light Output Ratio (ULOR)	0%
LIFETIME OF THE LEDS @ TA 25°C	
All configurations	
L70B50	> 100,000h
L80B20	> 50,000h
L90B10	> 30,000h
Switching Cycles	> 100,000 times

※Lamp switch must control L line or control L and N lines.  
 ※Ra measurement tolerance is ±2.

# PACKAGING

POWER	PACKAGE SIZE	QTY/CTN	SINGLE PIECE VOLUME	NET WEIGHT	GROSS WEIGHT	20GP	40HQ
200W	L760*W158*H117mm	1PCS/CTN	0.0140m3	4.8KG	5.6KG	1851pcs	4698pcs
240W	L760*W158*H117mm	1PCS/CTN	0.0140m3	4.8KG	5.6KG	1851pcs	4698pcs

# PERFORMANCE

## PRO VERSION

POWER	LUMENS	EFFICACY
200W	34,000LM	170LM/W(Ra70)
	32,000LM	160LM/W(Ra80)
240W	38,600LM	165LM/W(Ra70)
	37,200LM	155LM/W(Ra80)

## STANDARD VERSION

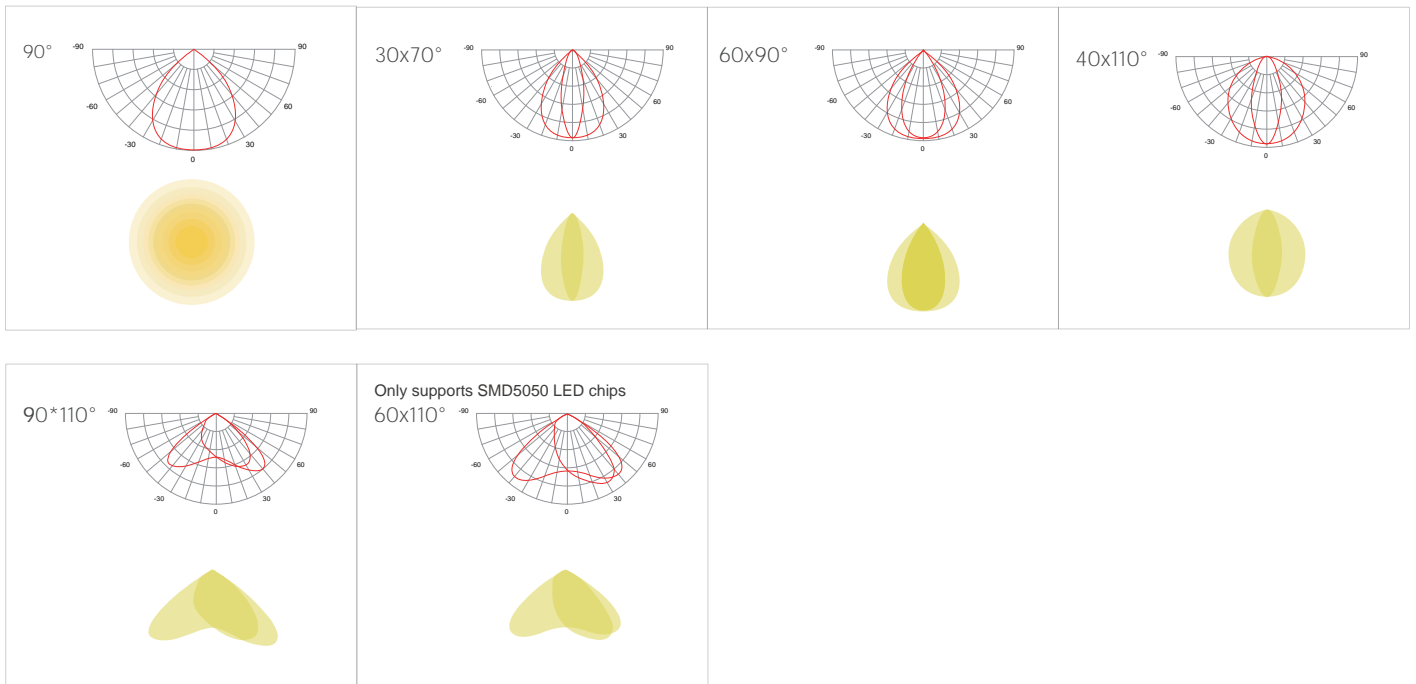
POWER	LUMENS	EFFICACY
200W	30,000LM	150LM/W(Ra70)
	28,000LM	140LM/W(Ra80)
240W	34,800LM	145LM/W(Ra70)
	32,400LM	135LM/W(Ra80)

※The Performance Data is tested base on 230VAC, and 4000K for all versions  
 ※Power Consumption Tolerance  $\pm 5\%$  (Apply to all versions)  
 ※Lumen Efficiency Tolerance  $\pm 5\%$  (Apply to all versions)

# APPLICATION



# LIGHT DISTRIBUTIONS



# PENDANT MOUNTING

Power	Size
200W/240W	L745*W149*H110mm

