



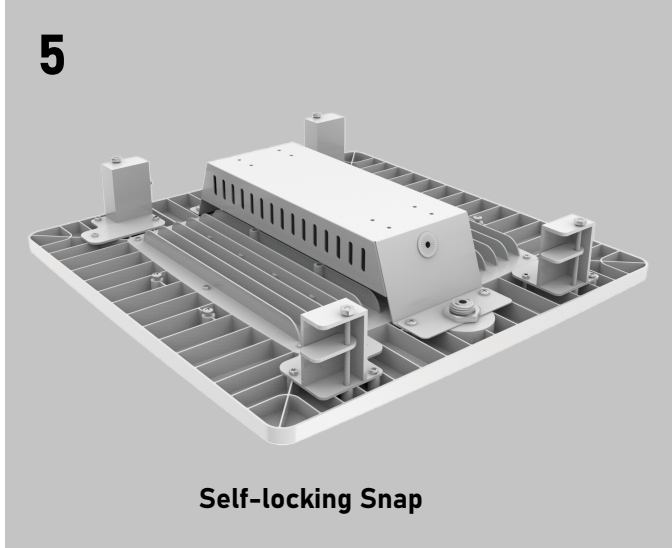
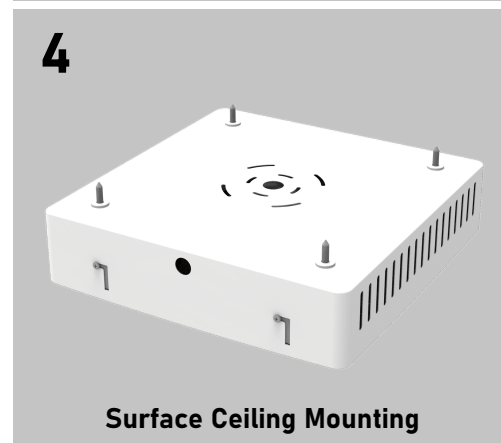
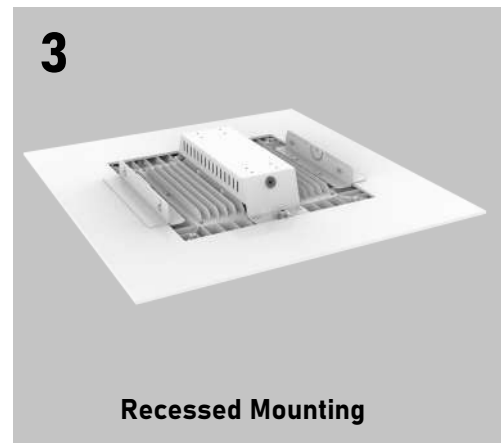
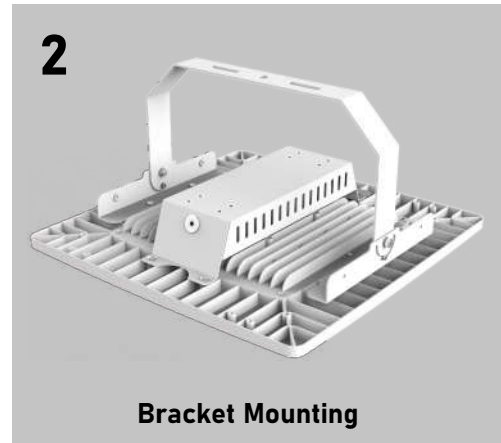
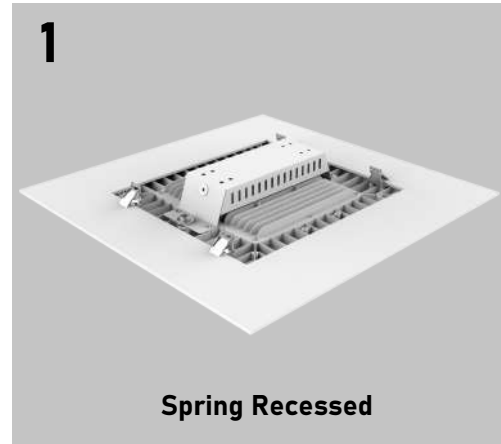
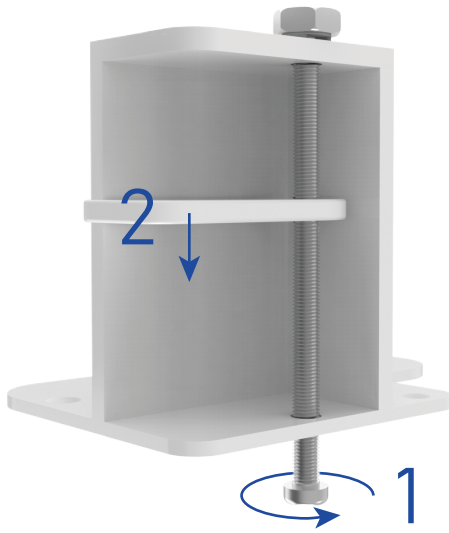
CP01-Series

Multiple Installations Canopy Light (Gas Station Light)

Comes with superb efficacy up to 150lm/w. Ideal lighting solution for safer and more appealing gas stations and low bay general lighting.



Mounting Options



Can Be Equipped With Sensors

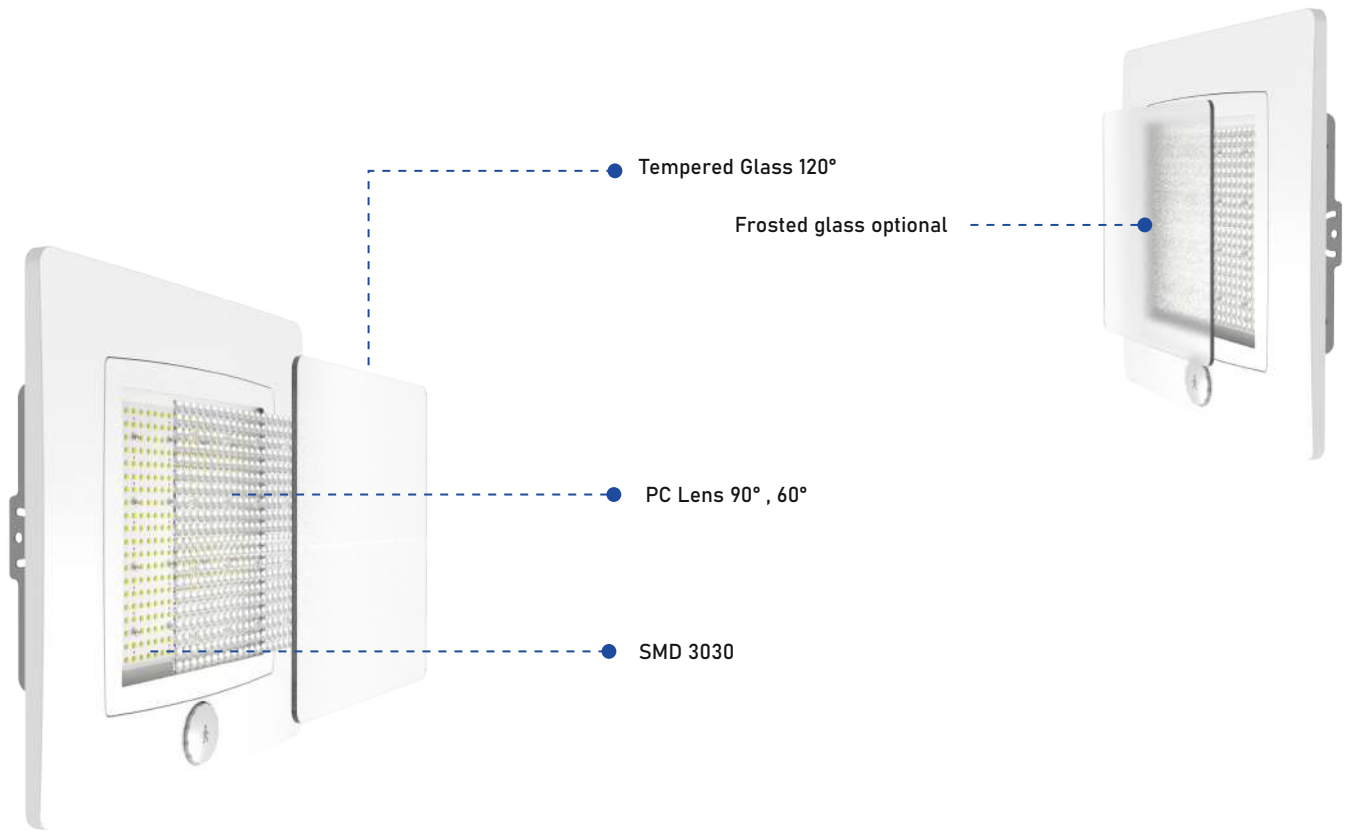
Get more energy saving with a smart Microwave Motion Sensor.



Screen Display, Memory & Apply Function, Optional Scenes

PIR		100 %
PW		5 s
100 %		10 %
		0 s
M		--- Lux

Multi-angle Optic Design



SPECIFICATIONS TABLE

GENERAL INFORMATION	
Driver included	Yes
CE mark	Yes
RoHS compliant	Yes
Safety features	Open circuit protection Short circuit protection Overvoltage protection
Testing standard	LM-79-19 (all measurements in ISO17025 accredited laboratory)
HOUSING AND FINISH	
Housing	Aluminium
Optic	Polycarbonate
Protector	Polycarbonate (with Tempered glass)
Housing finish	Electrostatic polyester powder coating
Standard colour(s)	RAL 1127 white
OPERATING CONDITIONS	
Operating Temperature Range (Ta)	-30°C to + 45°C
Operating Humidity	10-90%RH
Mounting Option	Spring mount, Ceiling mount, bracket mount, Embedded installation
Warranty	5 years
PERFORMANCE	
Power	75W/100W/120W/150W
Efficacy	150lm/W,130lm/W
Power Efficiency	≥86%
Start Time	≤0.2S
Warm-up time to 60%	0.5S

ELECTRICAL INFORMATION	
Electrical Class	Class I EU
Nominal Voltage	120-277V 50/60Hz
Power factor (at fullload)	0.9
Surge Protection Options (KV)	6KV-Line-Line 6KV-Line-Earth
Electromagnetic Compatibility (EMC)	EN 55015:2019/A11:2020, EN 61000 3-2:2019, EN 61000-3-3:2013, EN 61547:2009, EN 62493:2015
Total Harmonic Distortion(THD)	IEC 61000-3-2 Class C <20%
Driver Type	Constant current(CC)
Withstand Voltage	1.5KV 60S 10mA
OPTICAL INFORMATION	
LED Type	SMD2835/3030
Beam Angle	60° / 90° / 120°
Recommended installation height	4m to 15m
Color Tolerance	Ra70 ≤7 Ra80 ≤5
LED colour Temperature	3000K / 4000K / 5000K / 5700K / 6500K
Colour Rendering Index (CRI)	CRI>70 standard CRI>80 optional
Upward Light Output Ratio (ULOR)	0%
LIFETIME OF THE LEDS @ TA 25°C	
All configurations	
L70B50	>100,000h
L80B20	>50,000h
L90B10	>30,000h
Switching Cycles	>100,000 times

※Lamp switch must control L line or control L and N lines.

※Ra measurement tolerance is ±2.

PACKAGING

POWER	PACKAGE SIZE	QTY/CTN	SINGLE PIECE VOLUME	NET WEIGHT	GROSS WEIGHT	20GP	40HQ
75W	L385*W385*H115mm	1PCS/CTN	0.0171m ³	3.2kg	3.9kg	1881pcs	4417pcs
100W	L385*W385*H115mm	1PCS/CTN	0.0148m ³	3.3kg	4.0kg	1881pcs	4417pcs
120W	L470*W470*H150mm	1PCS/CTN	0.0331m ³	5.4kg	6.2kg	959pcs	2256pcs
150W	L470*W470*H150mm	1PCS/CTN	0.0331m ³	5.5kg	6.4kg	959pcs	2256pcs

PERFORMANCE

STANDARD VERSION

POWER	LUMENS	EFFICACY
75W	11,250LM	150LM/W(Ra70)
	10,500LM	140LM/W(Ra80)
100W	15,000LM	150LM/W(Ra70)
	14,000LM	140LM/W(Ra80)
120W	18,000LM	150LM/W(Ra70)
	16,800LM	140LM/W(Ra80)
150W	22,500LM	150LM/W(Ra70)
	21,000LM	140LM/W(Ra80)

ECO VERSION

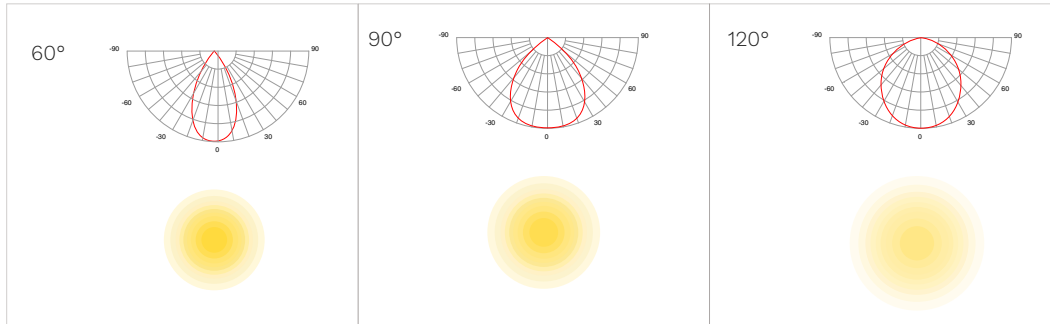
POWER	LUMENS	EFFICACY
75W	9,750LM	130LM/W(Ra70)
	9,000LM	120LM/W(Ra80)
100W	13,000LM	130LM/W(Ra70)
	12,000LM	120LM/W(Ra80)
120W	15,600LM	130LM/W(Ra70)
	14,400LM	120LM/W(Ra80)
150W	19,500LM	130LM/W(Ra70)
	18,000LM	120LM/W(Ra80)

※The Performance Data is tested base on 230VAC, 90° and 4000K for all versions
 ※Power Consumption Tolerance ±5% (Apply to all versions)
 ※Lumen Efficiency Tolerance ±5% (Apply to all versions)

APPLICATION



LIGHT DISTRIBUTIONS



PENDANT MOUNTING

Power	Size
75W/100W	L325*W346*H77mm
120W/150W	L400*W400*H79mm

