

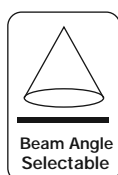
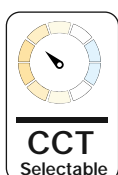


A-Series

Up to 190lm/w

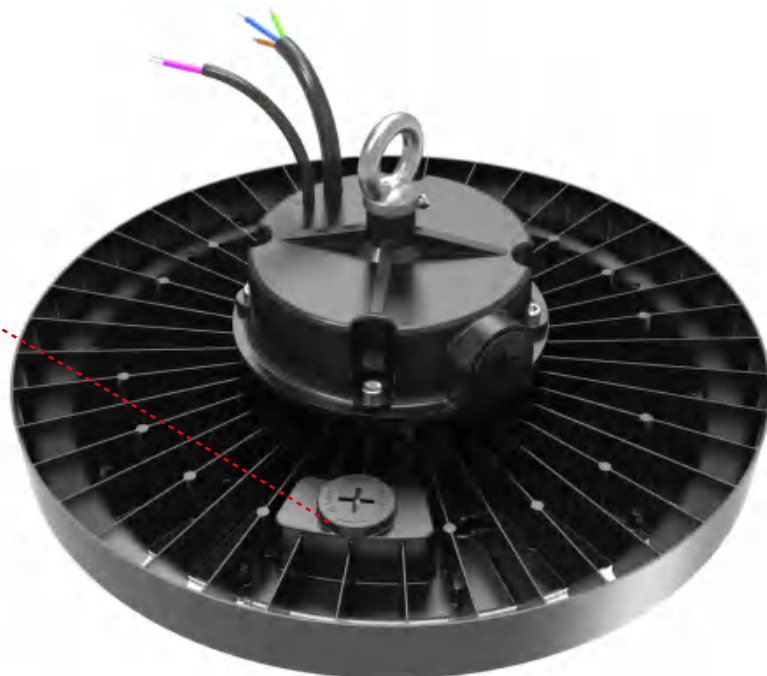
All-in-one Design That Meet All Your Specific Application

Save SKU / Save electric bill



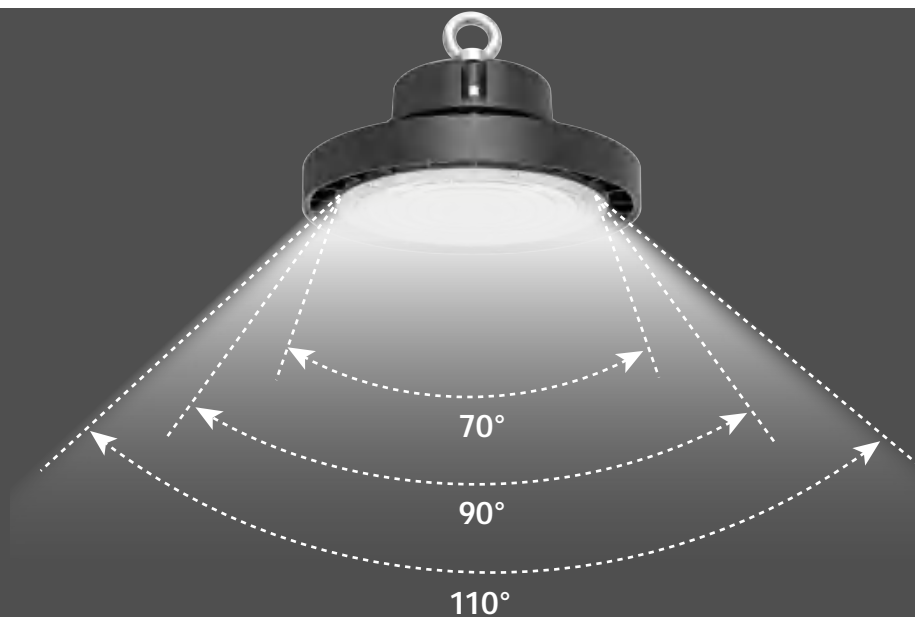
BEAM ANGLE & CCT ADJUSTABLE

Easily adjustable via DIP switch, our product offers seamless customization of both CCT (CW-NW-WW) and beam angle (70°-90°-110°). This flexible design allows for precise lighting adaptation to various environments, ensuring optimal illumination and enhanced user convenience.



3 in 1 LENS

Beam Angle
Adjustable

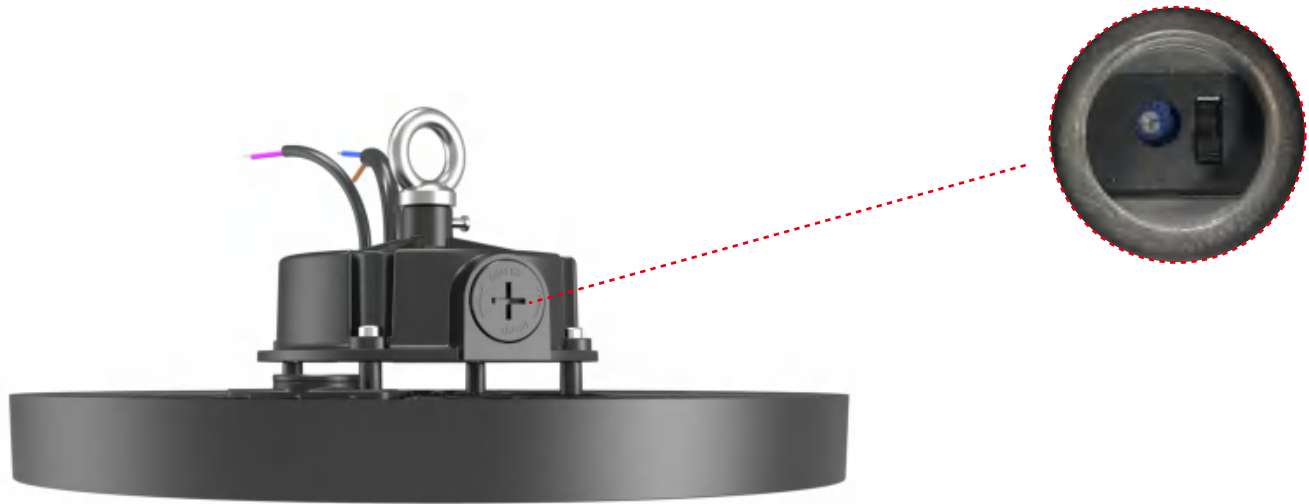


Flexible 3 CCT Adjustment with DIP Switch



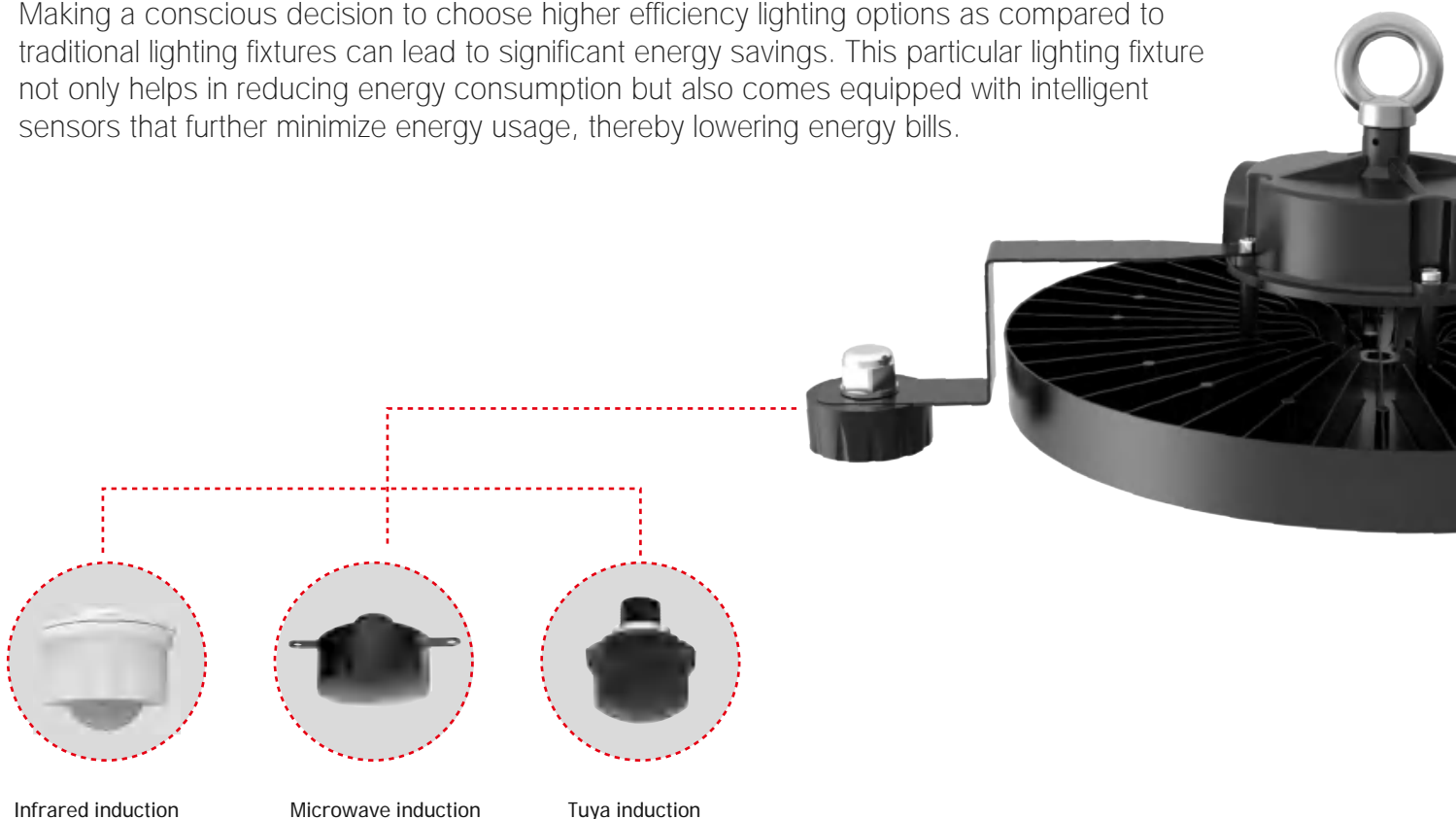
3POWER SELECTABLE

The ability to adjust power provides the flexibility to cater to a variety of end-user applications, while also reducing the pressure to maintain excessive inventory levels.



SMART LIGHT WITH SENSOR

Making a conscious decision to choose higher efficiency lighting options as compared to traditional lighting fixtures can lead to significant energy savings. This particular lighting fixture not only helps in reducing energy consumption but also comes equipped with intelligent sensors that further minimize energy usage, thereby lowering energy bills.



Infrared induction

Microwave induction

Tuya induction

SPECIFICATIONS TABLE

GENERAL INFORMATION	
Driver included	Yes
CE mark	Yes
RoHS compliant	Yes
Safety features	Open circuit protection Short circuit protection Overvoltage protection
Testing standard	LM-79-19 (all measurements in ISO17025 accredited laboratory)
HOUSING AND FINISH	
Housing	Aluminium
Optic	Polycarbonate
Protector	Polycarbonate (with integrated lenses)
Housing finish	Electrostatic polyester powder coating
Standard colour(s)	RAL 9017 black
OPERATING CONDITIONS	
Operating Temperature Range (Ta)	-30°C to + 40°C
Operating Humidity	10-90%RH
Mounting Option	Loop Hanging Bracket Mounting
Warranty	5 years
PERFORMANCE	
Power	100W/150W/200W
Efficacy	UP TO 190lm/w
Power Efficiency	≥93%
Start Time	≤0.2S
Warm-up time to 60%	0.5S

ELECTRICAL INFORMATION	
Electrical Class	Class I EU
Nominal Voltage	120-277V 50/60Hz
Power factor (at fullload)	0.9
Surge Protection Options (KV)	6KV-Line-Line 6KV-Line-Earth
Electromagnetic Compatibility (EMC)	EN 55015:2019/A11:2020, EN 61000 3-2:2019, EN 61000-3-3:2013, EN 61547:2009, EN 62493:2015
Total Harmonic Distortion(THD)	IEC 61000-3-2 Class C <20%
Driver Type	Constant current(CC)
Withstand Voltage	1.5KV 60S 10mA
OPTICAL INFORMATION	
LED Type	SMD2835
Beam Angle	70° / 90° / 110°
Recommended installation height	4m to 12m
Color Tolerance	Ra70 ≤7 Ra80 ≤5
LED colour Temperature	3000K / 4000K / 5000K / 5700K / 6500K
Colour Rendering Index (CRI)	CRI>70 standard CRI>80 optional
Upward Light Output Ratio (ULOR)	0%
LIFETIME OF THE LEDS @ TA 25°C	
All configurations	
L70B50	>100,000h
L80B20	>50,000h
L90B10	>30,000h
Switching Cycles	>100,000 times

※Lamp switch must control L line or control L and N lines.
 ※Ra measurement tolerance is ±2.

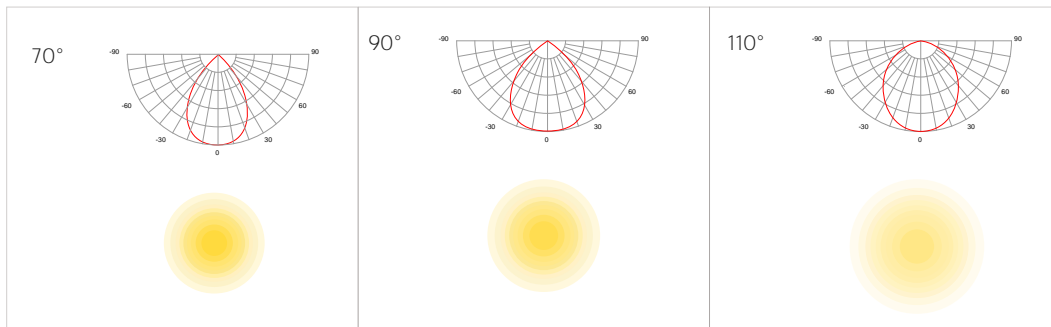
PACKAGING

POWER	PACKAGE SIZE	QTY/CTN	SINGLE PIECE VOLUME	NET WEIGHT	GROSS WEIGHT	20GP	40HQ
100W	L275*W275*H145mm	1PCS/CTN	0.01097m ³	2.1kg	2.6kg	2371pcs	6019pcs
150W	L315*W315*H145mm	1PCS/CTN	0.0144m ³	2.5kg	3.1kg	1807pcs	4587pcs
200W	L355*W355*H145mm	1PCS/CTN	0.0183m ³	3.2kg	4.0kg	1423pcs	3612pcs

APPLICATION



LIGHT DISTRIBUTIONS



PENDANT MOUNTING

Power	Size
100W	Φ 230*H149.5mm
150W	Φ 270*H149.5mm
200W	Φ 310*H150.5mm

